

GAS REGULATION

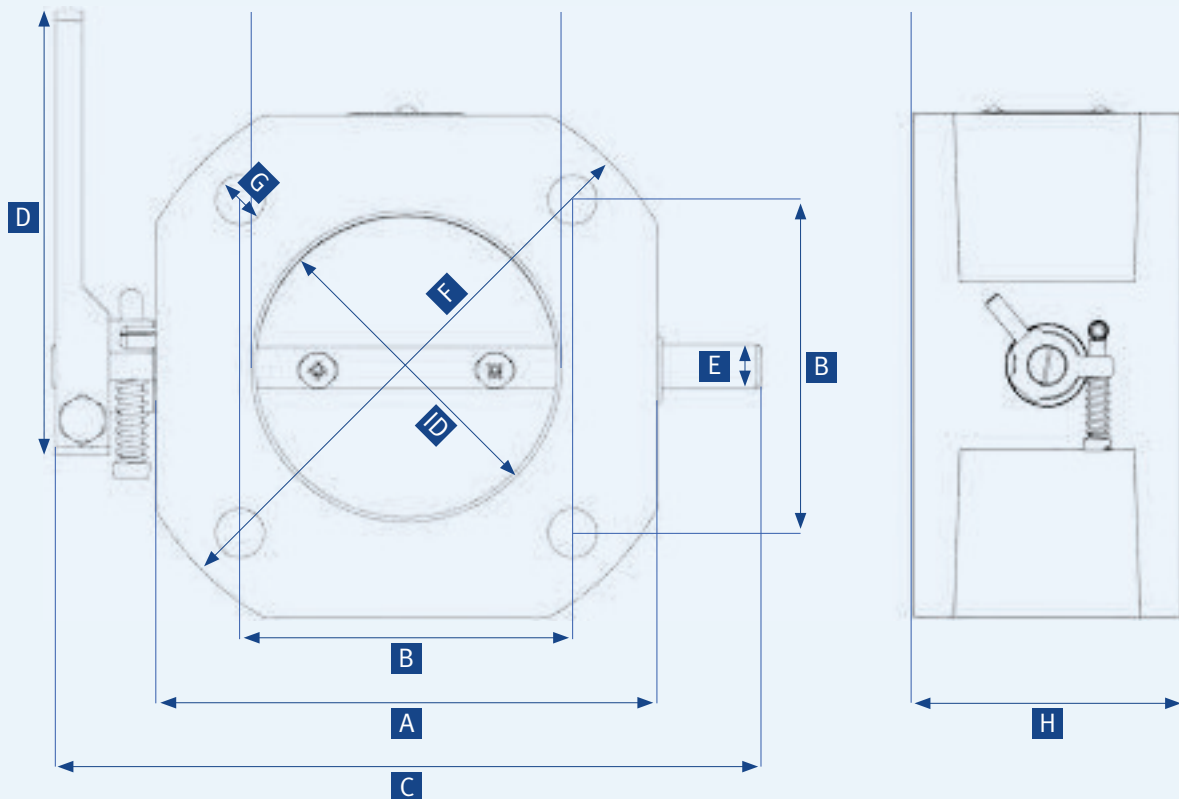


Throttles MOTORTECH THROTTLES/BUTTERFLY VALVES

Throttles for Naturally Aspirated and Turbocharged Engines

Various throttles are available. All moving parts are made of stainless steel to survive in the harshest environments including H₂S.

- Flange gaskets, lever, end stop and idle speed adjustment included
- Stainless steel ball bearings
- Other sizes and custom made designs on request.
- Applicable for temperatures up to 284 °F/140 °C, high temperature types (-HT) up to 392 °F/200 °C



Throttles for Naturally Aspirated and Turbocharged Engines – Standard – Series 50 (41 - 42 mm)

P/N	Supersedes	Description	A	B	C	D	E	F	G	H	Inner Diameter
30.40.051-42	30.40.050-42	Throttle	88 mm	57 mm	135 mm	100 mm	10 mm	96 mm	8 mm	40 mm	42 mm
30.40.051-42-HT		Throttle	88 mm	57 mm	135 mm	100 mm	10 mm	96 mm	8 mm	40 mm	42 mm

Throttles for Naturally Aspirated and Turbocharged Engines – Standard – Series 100 (48 - 68 mm)

P/N	Supersedes	Description	A	B	C	D	E	F	G	H	Inner Diameter
30.40.101-60	30.40.100-60	Throttle	113 mm	75 mm	160 mm	100 mm	10 mm	130 mm	11 mm	61 mm	60 mm
30.40.101-60-HT		Throttle	113 mm	75 mm	160 mm	100 mm	10 mm	130 mm	11 mm	61 mm	60 mm
30.40.101-68	30.40.100-68	Throttle	113 mm	75 mm	160 mm	100 mm	10 mm	130 mm	11 mm	61 mm	68 mm
30.40.101-68-HT		Throttle	113 mm	75 mm	160 mm	100 mm	10 mm	130 mm	11 mm	61 mm	68 mm

Throttles for Naturally Aspirated and Turbocharged Engines – Standard – Series 140 (73 - 85 mm)

P/N	Supersedes	Description	A	B	C	D	E	F	G	H	Inner Diameter
30.40.141-75	30.40.140-75	Throttle	150 mm	95 mm	200 mm	150 mm	12 mm	166 mm	11 mm	76 mm	75 mm
30.40.141-75-HT		Throttle	150 mm	95 mm	200 mm	150 mm	12 mm	166 mm	11 mm	76 mm	75 mm
30.40.141-80	30.40.140-80	Throttle	150 mm	95 mm	200 mm	150 mm	12 mm	166 mm	11 mm	76 mm	80 mm
30.40.141-80-HT		Throttle	150 mm	95 mm	200 mm	150 mm	12 mm	166 mm	11 mm	76 mm	80 mm
30.40.141-85	30.40.140-85	Throttle	150 mm	95 mm	200 mm	150 mm	12 mm	166 mm	11 mm	76 mm	85 mm
30.40.141-85-HT		Throttle	150 mm	95 mm	200 mm	150 mm	12 mm	166 mm	11 mm	76 mm	85 mm

Throttles for Naturally Aspirated and Turbocharged Engines – Standard – Series 150 (82 - 104 mm)

P/N	Supersedes	Description	A	B	C	D	E	F	G	H	Inner Diameter
30.40.151-100	30.40.150-100	Throttle	150 mm	110 mm	200 mm	150 mm	12 mm	196 mm	9 mm	80 mm	100 mm
30.40.151-100-HT		Throttle	150 mm	110 mm	200 mm	150 mm	12 mm	196 mm	9 mm	80 mm	100 mm

Throttles for Naturally Aspirated and Turbocharged Engines – Standard – Series 200 (98 - 125 mm)

P/N	Supersedes	Description	A	B	C	D	E	F	G	H	Inner Diameter
30.40.201-100	30.40.200-100	Throttle	180 mm	126 mm	260 mm	150 mm	12 mm	200 mm	11 mm	110 mm	100 mm
30.40.201-100-HT		Throttle	180 mm	126 mm	260 mm	150 mm	12 mm	200 mm	11 mm	110 mm	100 mm
30.40.201-105	30.40.200-105	Throttle	180 mm	126 mm	260 mm	150 mm	12 mm	200 mm	11 mm	110 mm	105 mm
30.40.201-105-HT		Throttle	180 mm	126 mm	260 mm	150 mm	12 mm	200 mm	11 mm	110 mm	105 mm
30.40.201-115	30.40.200-115	Throttle	180 mm	126 mm	260 mm	150 mm	12 mm	200 mm	11 mm	110 mm	115 mm
30.40.201-115-HT		Throttle	180 mm	126 mm	260 mm	150 mm	12 mm	200 mm	11 mm	110 mm	115 mm

Throttles for Naturally Aspirated and Turbocharged Engines – Special – IMPCO® Replacement Series 100/140¹⁾

P/N	Supersedes	Description	Inner Diameter	Equivalent to
30.40.101-68AT2-7		Throttle	68 mm	AT2-7
30.40.141-94AT2-9		Throttle	94 mm	AT2-9

¹⁾ Common applications e.g. CATERPILLAR® G379 / G3306 / G3406, WAUKESHA® F1197

Throttles for Naturally Aspirated and Turbocharged Engines – Special – Series 160 for CATERPILLAR® G3400 and G3500 Series

P/N	Supersedes	Description	Inner Diameter	Equivalent to
30.40.161-106		Throttle	106 mm	7E1585 / 7E1589

Conversion: 1 inch = 25,4 mm / 1 foot = 0,3 m